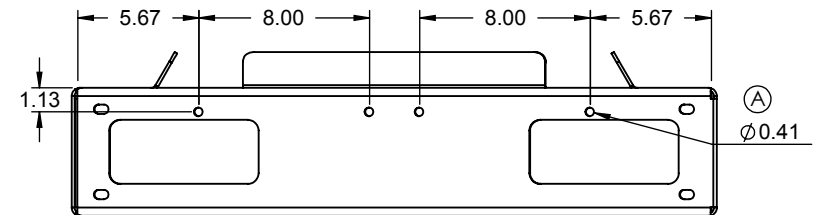
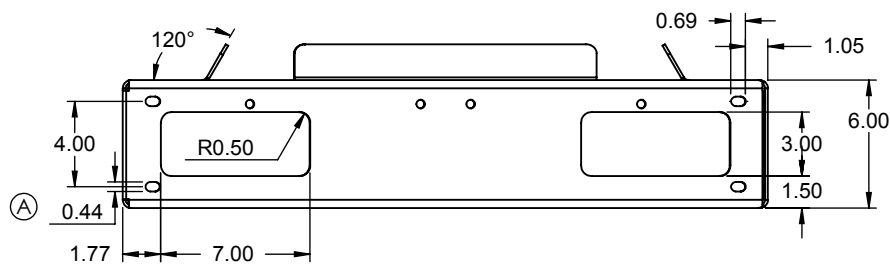
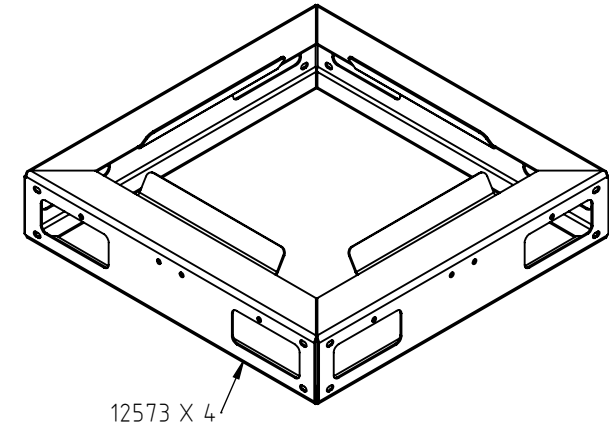
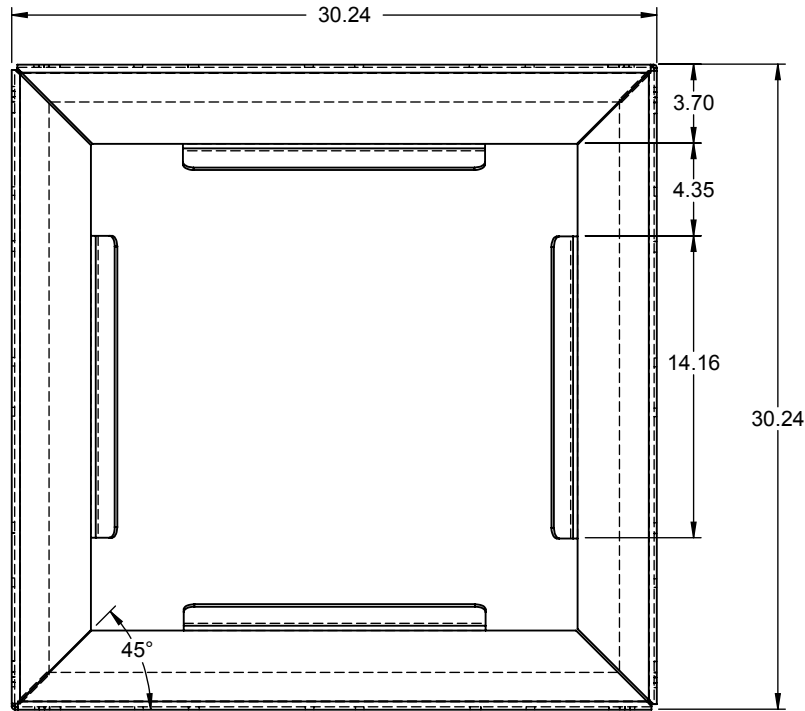



Copyright. All information furnished within this document, electronic file or design correspondence is the property of Den Hartog industries, Inc. and shall not be used, disclosed to others or copied without the expressed written consent of Den Hartog Industries, Inc.



				DRAWN / DATE ADH 8/20/08	MATERIAL 1.) SHEET, 10 GA MILD STEEL
A	SLOTS/HOLES FOR ACCESSORIES ADDED TO PRINT	ADH 2/25/09	1812	APPRD. / DATE REH 8/25/08	2.) CUT FROM S-10GA
REV	DESCRIPTION	BY / DATE	CCN	SHOT WEIGHT:	NOTES:
ALL DIMENSIONS ARE IN DECIMAL INCHES TOLERANCES UNLESS OTHERWISE SPECIFIED		THIRD ANGLE PROJECTION ANSI 14.5M		SHIPPING WEIGHT: 50 LBS	
POLYETHYLENE ±1% @ 68°F		METAL DECIMAL ± .125" FRACTION ± 1/4" ANGLE ± 1°		FINISH: POWDER COATING, BLACK TILE, 4.0012	



Den Hartog

INDUSTRIES, INC.

Ace Roto-Mold Injection Molding Blow Molding Sowjoy

4010 HOSPERS DRIVE S. BOX 425, HOSPERS, IOWA 51238-0421

DESCRIPTION	SKID WELDMENT FOR 70 & 120 GALLON TOTES	
SCALE	N.S.	PART NO. ST70/120-SK