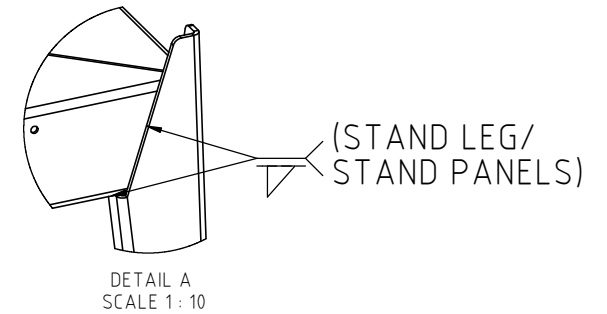
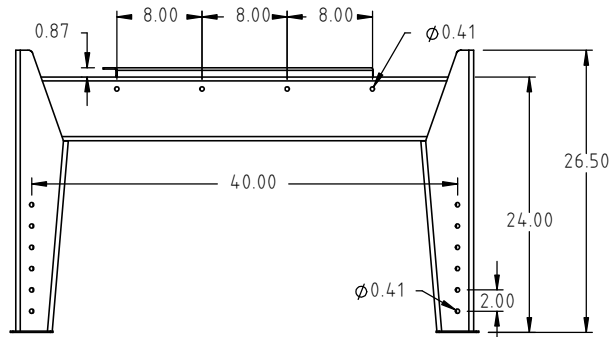
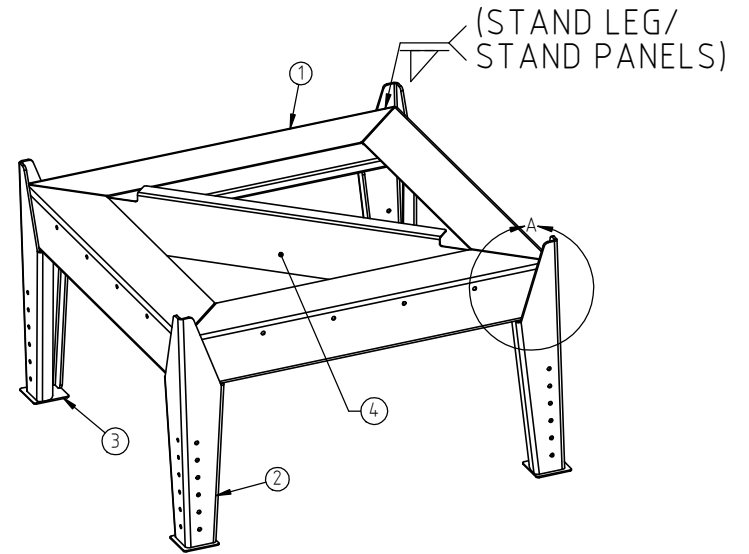
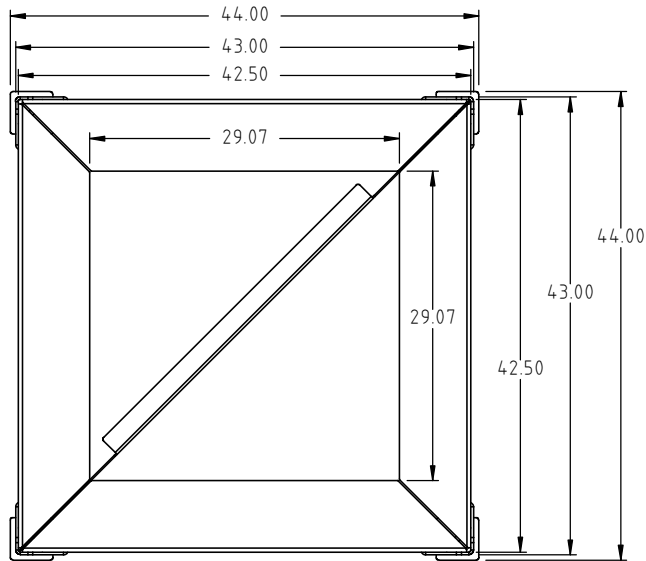


© DEN HARTOG INDUSTRIES, INC.

Copyright. All information furnished within this document, electronic file or design correspondence is the property of Den Hartog industries, Inc. and shall not be used, disclosed to others or copied without the expressed written consent of Den Hartog Industries, Inc.

KEY	PART NUMBER	DESCRIPTION	QTY.
1	13494	STAND, FRAME	4
2	13458	TOTE STAND LEG	4
3	13459	LEG PAD	4
4	13461	SUPPORT BEAM	1

ST180/240-ST



WARNING:

1. DO NOT STACK 180 GAL. OR 240 GAL. TOTES OVER TWO HIGH ON STAND.

2. DO NOT USE STAND FOR TOTE TRANSPORT.

REV		DESCRIPTION	BY / DATE	CCN	DRAWN / DATE ADH 9/13/11	MATERIAL
					APPRD. / DATE REH 11/4/11	
ALL DIMENSIONS ARE IN DECIMAL INCHES TOLERANCES UNLESS OTHERWISE SPECIFIED		THIRD ANGLE PROJECTION ANSI 14.5M		SHOT WEIGHT:	NOTES:	
POLYETHYLENE		METAL DECIMAL ± .125" FRACTION ± 1/4" ANGLE ± 1°		SHIPPING WEIGHT: 175 LB.		
±1% @ 68°F				FINISH: BLACK POWDER COAT		



Den Hartog
INDUSTRIES, INC.

Acro Roto-Mold Injection Molding Blow Molding Sowjoy

4010 HOSPERS DRIVE S. BOX 425, HOSPERS, IOWA 51238-0421

DESCRIPTION 180 AND 240 GALLON TOTE STAND	
SCALE N.S.	PART NO. ST180/240-ST