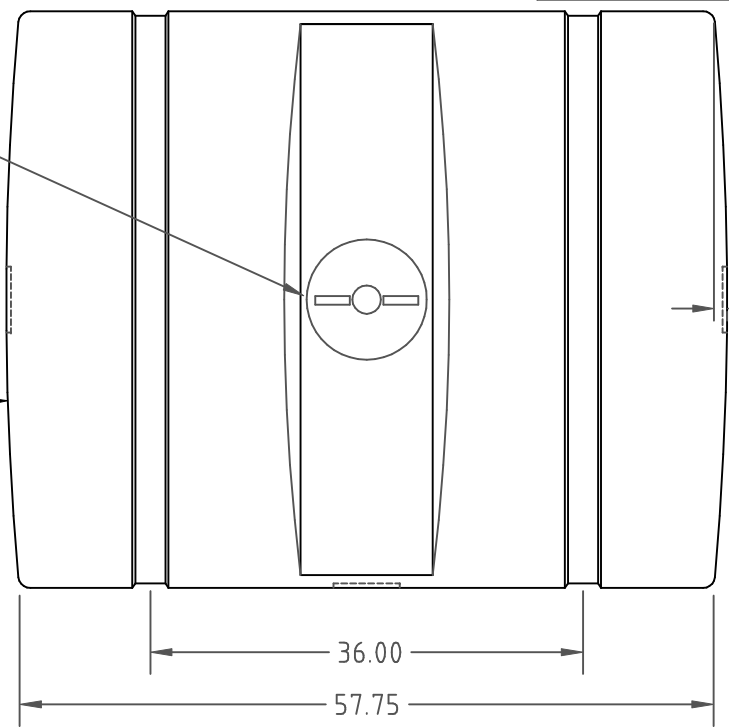


Copyright. All information furnished within this document, electronic file or design correspondence is the property of Den Hartog industries, Inc. and shall not be used, disclosed to others or copied without the expressed written consent of Den Hartog industries, Inc.

10525 8" VENTED LID IS STANDARD
5" OR 7" LID OPTIONS AVAILABLE

R263.99

1.09



R169.88

R1.00

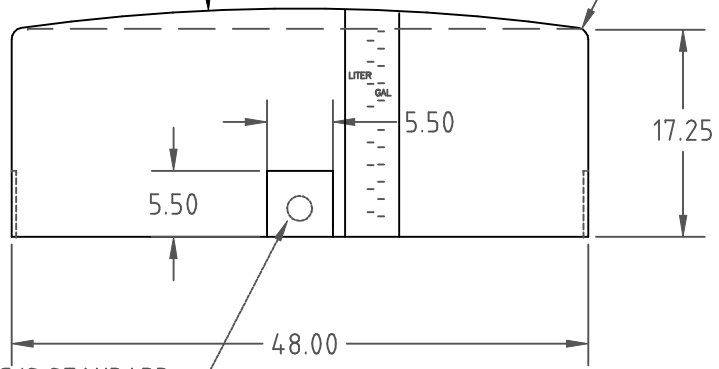
LITER
GAL
5.50

17.25

5.50

48.00

1" FITTING IS STANDARD



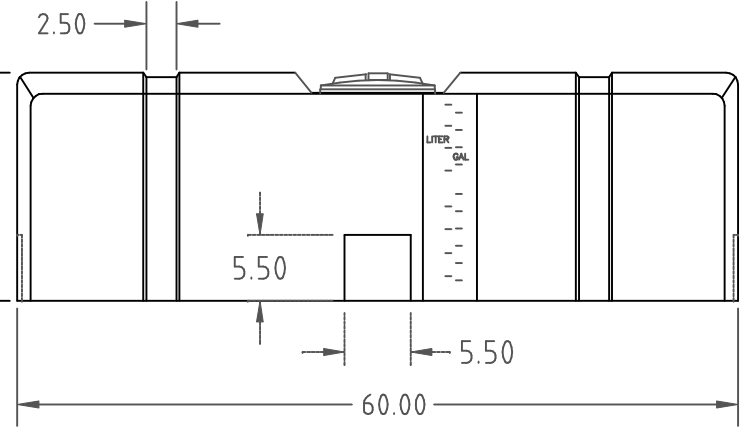
2.50

19.00

5.50

5.50


OVERALL HT.
ALLOW 20" FOR
5" AND 7" LID
OPTIONS



REV	DESCRIPTION	BY / DATE	CCN
A	LID WAS 5" HINGED STYLE	REH 8/13/09	1909
ALL DIMENSIONS ARE IN DECIMAL INCHES TOLERANCES UNLESS OTHERWISE SPECIFIED		THIRD ANGLE PROJECTION ANSI 14.5M	
POLYETHYLENE ±1% @ 68° F		METAL DECIMAL ± .125" FRACTION ± 1/4" ANGLE ± 1°	

DRAWN / DATE	DHJ 6/12/06
APPRD. / DATE	ADH 11/19/07
SHOT WEIGHT:	82 LBS.
SHIPPING WEIGHT:	84 LBS.
FINISH:	

MATERIAL	HDPE OR EQUIVALENT REFERENCE MATERIAL DATA SHEET FOR SPECIFIC PROPERTIES.
NOTES:	1. NOM. WALL @ .260 2. NATURAL OR YELLOW COLOR



Den Hartog

INDUSTRIES, INC.

Ace Roto-Mold Injection Molding Blow Molding Sowjoy
4010 HOSPERS DRIVE S. BOX 425, HOSPERS, IOWA 51238-0421

DESCRIPTION		200 GAL. LOW PROFILE RECTANGULAR TANK	
SCALE	N.S.	PART NO.	LP0200-RT