

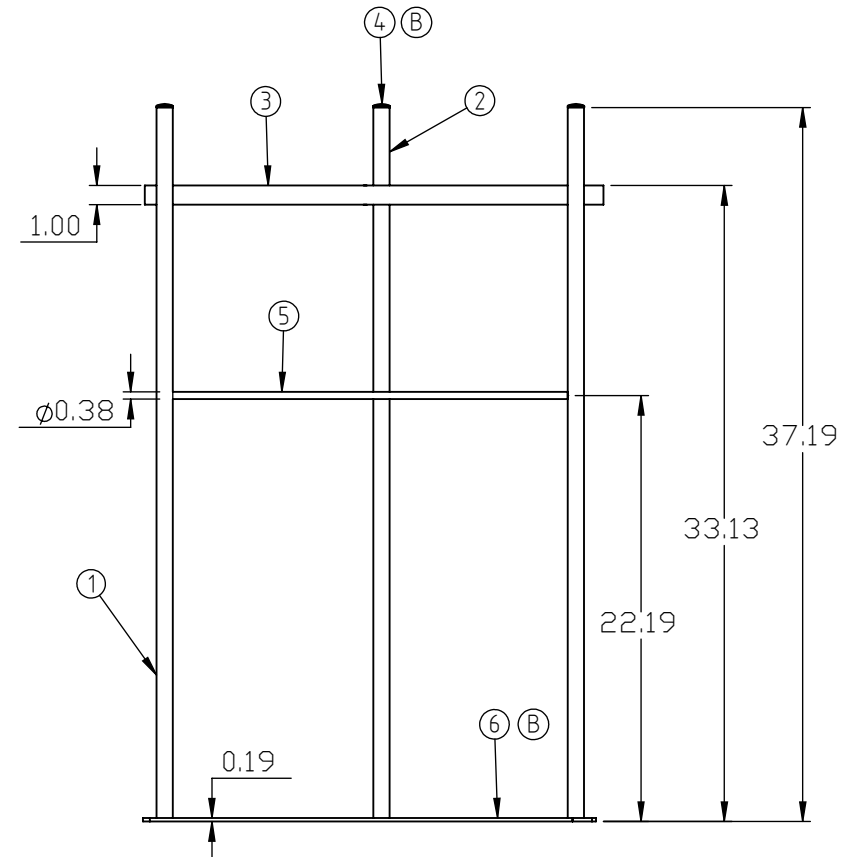
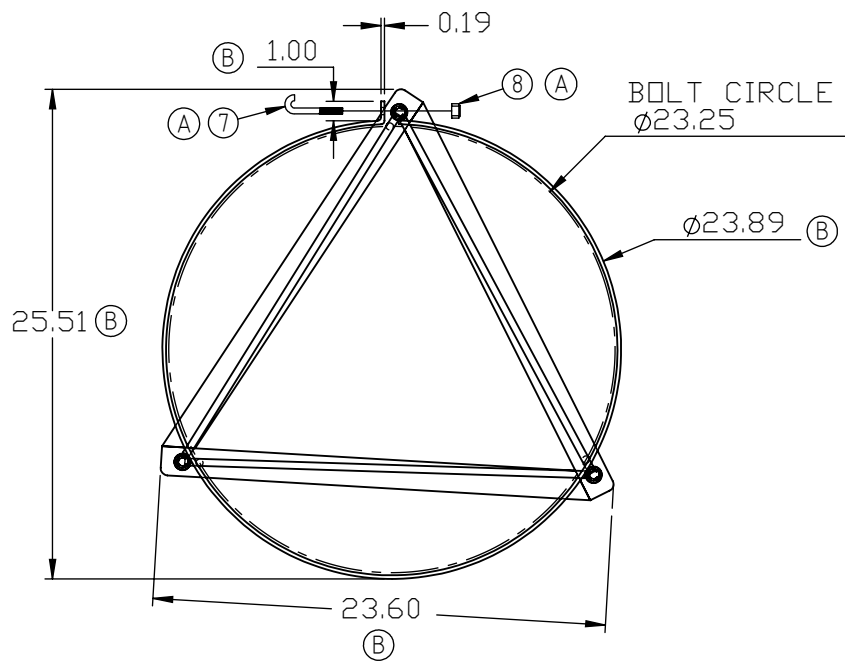
PROPRIETARY DATA

PROPERTY OF ACE ROTO-MOLD MFG., INC. INFORMATION FURNISHED HEREIN IS THE PROPERTY OF ACE ROTO-MOLD MFG., INC. AND SHALL NOT BE USED, DISCLOSED TO OTHERS, OR COPIED WITHOUT THE EXPRESSED WRITTEN CONSENT OF ACE ROTO-MOLD MFG., INC. ALL RIGHTS RESERVED.

KEY	PART NUMBER	MATERIAL	DESCRIPTION	QTY.
1	INFD30/60-ST-1	P05000	TUBING, 1/2" PIPE SIZE	3 @ 37"(111 IN)(HOLE INCLUDED)
2	INFD30/60-ST-2	P05000	TUBING, 1/2" PIPE SIZE	1
3	IN30/60-ST-3	B01875X10000	3/16" X 1" MILD STEEL	74.75 IN
4	12582	62202	1/2" PIPE PLUG	3
5	IN30/60-ST-5	R0375	3/8 MILD STEEL ROD	3 @ 20.88"(62.63 IN)
6	12081	B01875X1500	FLAT, 3/16 X 1 1/2 MILD STEEL	3 @ 22.44"(67.31 IN)
7	J.313X3.000	J.313X3.000	J BOLT, 5/16" X 3"	1
8	10280	10280	NUT, 5/16" NYLOK	1

INFD30/60-ST

B



REV	DESCRIPTION	BY / DATE	CCN	DRAWN / DATE	MATERIAL
B	DIMENSIONS, BASE STRAPS AND LEG PLUGS UPDATED	ADH 10/13/08	1729	ADH 12/12/07	
A	PARTS 7,8 AND FINISH NOTE ADDED. WEIGHT UPDATED	ADH 3/21/08	1626	APPRD. / DATE	
				REH 12/14/07	

<p>ALL DIMENSIONS ARE IN DECIMAL INCHES TOLERANCES UNLESS OTHERWISE SPECIFIED</p> <p>DECIMAL ± .125" FRACTION ± 1/4" ANGLE ± 1°</p>	<p>THIRD ANGLE PROJECTION ANSI 14.5M</p>	<p>NOTES:</p> <p>1.) POWDER COATING, BLACK TILE, 40012</p> <p>2.) SHIPPING WEIGHT= 18.5 LBS</p>
---	--	---



Den Hartog
INDUSTRIES, INC.

Ace Roto-Mold Injection Molding Blow Molding Sowjoy
4010 HOSPERS DRIVE S. BOX 425, HOSPERS, IOWA 51238-0421

DESCRIPTION	INDUCTOR STAND FOR 30/60 GALLON FULL DRAIN TANKS	
SCALE	N.S.	PART NO. INFD30/60-ST