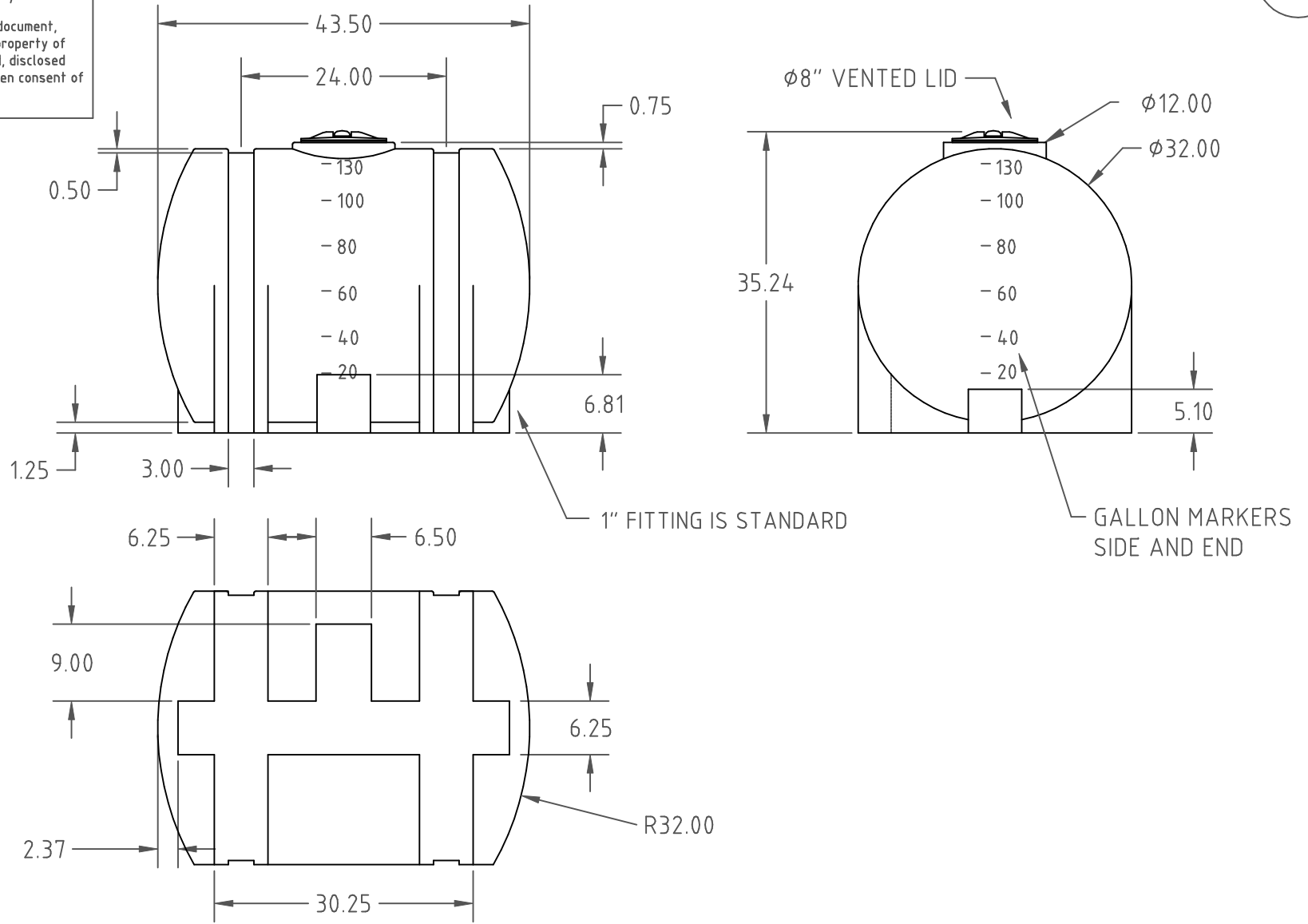

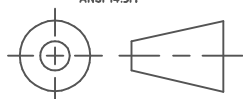


© DEN HARTOG INDUSTRIES, INC.

Copyright. All information furnished within this document, electronic file or design correspondence is the property of Den Hartog Industries, Inc. and shall not be used, disclosed to others or copied without the expressed written consent of Den Hartog Industries, Inc.



					DRAWN / DATE DHJ 3/10/94		MATERIAL		 ACE ROTO-MOLD A DIVISION OF DEN HARTOG INDUSTRIES, INC. 4010 HOSPERS DRIVE S., BOX 425, HOSPERS, IA. 51238	
					APPRD. / DATE ADH 11/9/07		HDPE OR EQUIVALENT REFERENCE MATERIAL DATA SHEET FOR SPECIFIC PROPERTIES.			
A	52 WAS 56 / ADDED FITTING	CCN 1769	REH	12/29/08					CLIENT / DESCRIPTION	
REV	DESCRIPTION	DATE	APPRD						125 GALLON LEG TANK	
ALL DIMENSIONS ARE IN DECIMAL INCHES TOLERANCES UNLESS OTHERWISE SPECIFIED \pm 1% @ 68° F					THIRD ANGLE PROJECTION ANSI 14.5M 		NOTES: 1. SHOT WEIGHT 52 LBS. (A) 2. BLACK, GREEN, WHITE OR YELLOW COLOR		SCALE N.S. PART NO. FS0125-32	