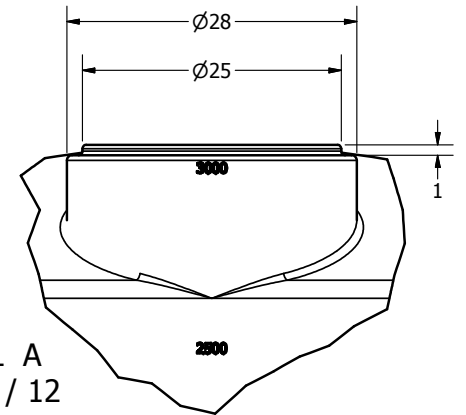
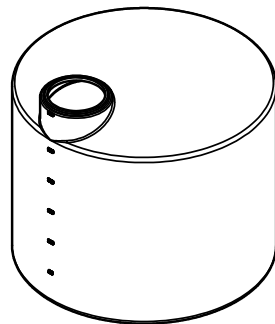
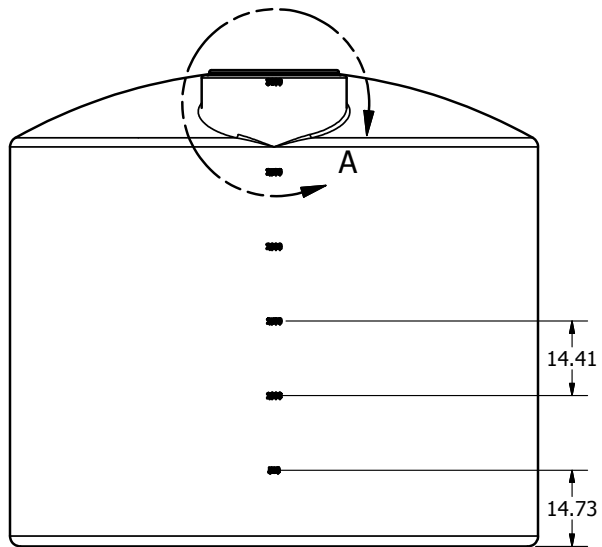
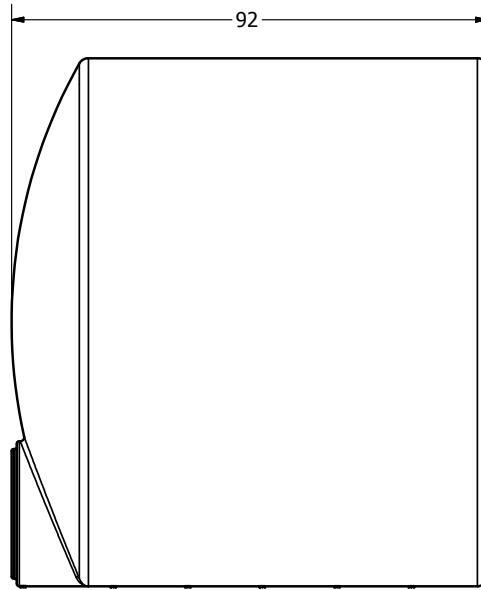
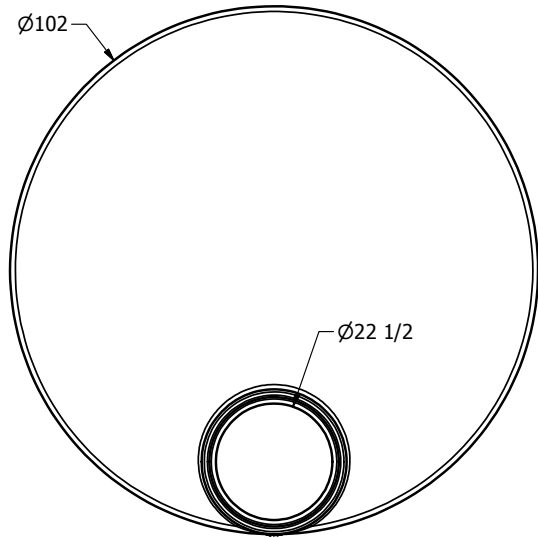



REVISION HISTORY			
REV	DESCRIPTION	DATE	AUTHOR
A	REVISED MANWAY FOR 22 LID	8/10/2009	Jerry Paulson



DETAIL A  
SCALE 1 / 12

DRAWN Jerry Paulson	8/6/2009	 <b>NORWESCO</b> NORWESCO, INC., ST. BONIFACIUS, MN
CHECKED		
QA		TITLE
MFG		3000 GALLON VERTICAL X 102 DIAMETER
APPROVED		
		SIZE B
		DWG NO
		REV A
	SCALE: 1/24	SHEET 1 OF 1