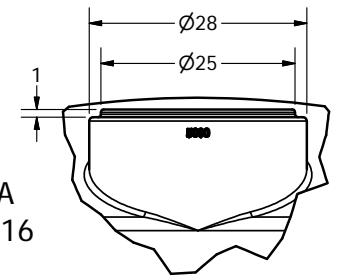
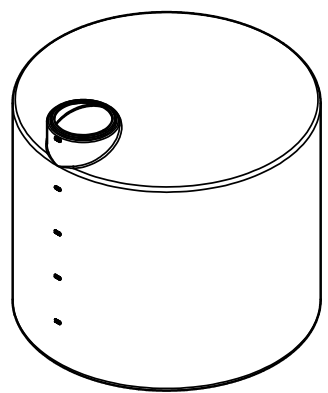
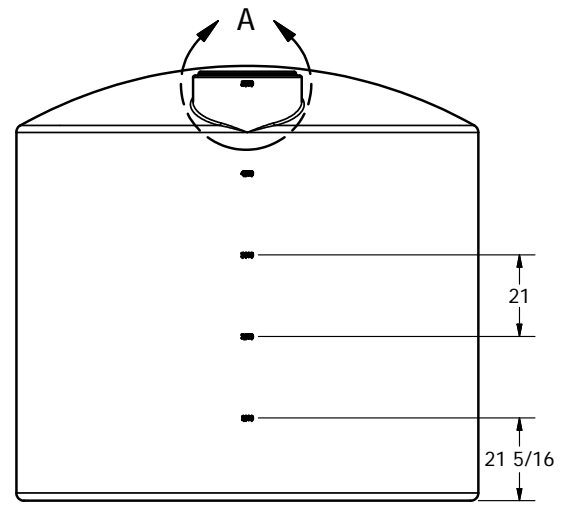
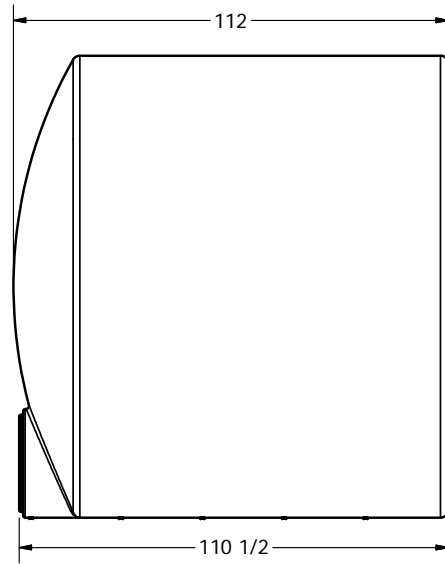
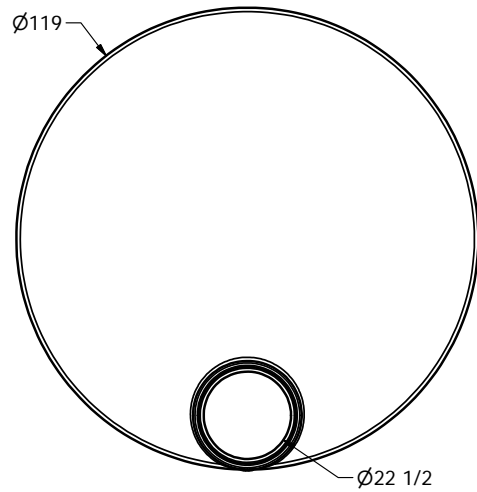



REVISION HISTORY

REV	DESCRIPTION	DATE	AUTHOR
A	REDRAWN W/ MANWAY REVISED FOR 22 LID	8/14/2009	Jerry Paulson



DETAIL A
SCALE 1 / 16

DRAWN Jerry Paulson	8/14/2009	 NORWESCO, INC., ST. BONIFACIUS, MN
CHECKED		
QA		TITLE
MFG		5000 GALLON VERTICAL WATER TANK X 120 DIAMETER
APPROVED		
		SIZE B
		DWG NO
		REV A
SCALE: 1/16		SHEET 1 OF 1